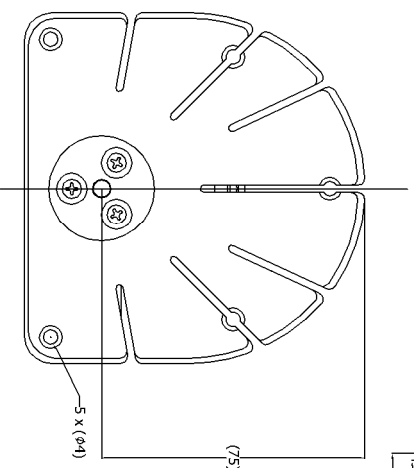
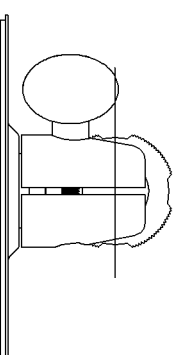
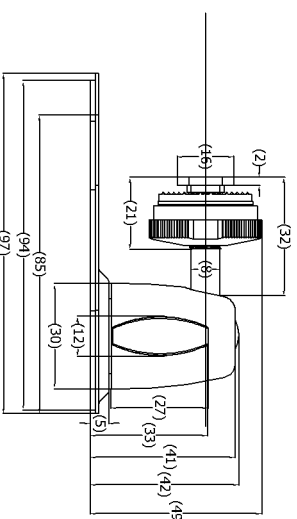
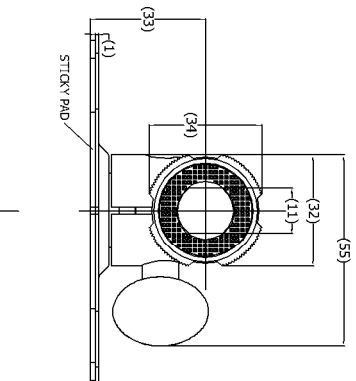
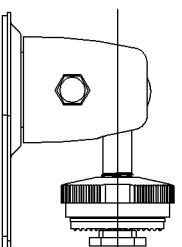
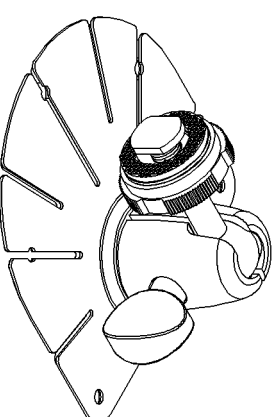
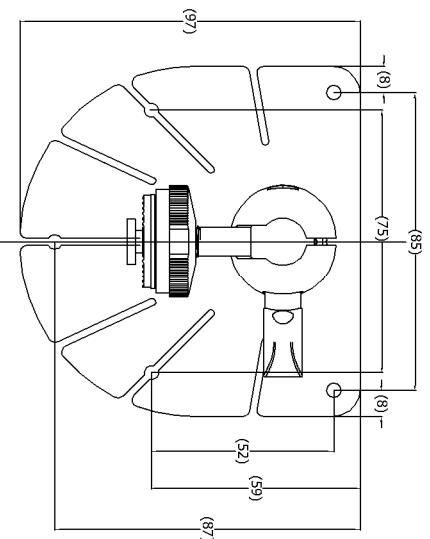


Revision Notes:			
R1 - DIMENSIONS UPDATED AS ORIGINALLY ISSUES INCORRECTLY.			
APA: -	Drawn: -	Checked: AL	Approved: DK Date: 01/02/10
R2 - DIMENSIONS UPDATED.			
APA: -	Drawn: -	Checked: LB	Approved: DK Date: 26/04/11
R3 - TEMPLATE UPDATED.			
APA: -	Drawn: -	Checked: LB	Approved: DK Date: 19/03/12
R4 - DIMENSIONS CORRECTED AS PER 3D MODEL.			
APA: XH 1/2/13	Drawn: R.BATES	Checked: P.H.A	Approved: SM Date: 1/2/13
R5 - DIMENSIONS AND MOUNTING HOLE POSITIONS CORRECTED			
APA: S.Z 27/02/13	Drawn: BC	Checked: YB	Approved: SM Date: 27/02/13
R6 - GIFTBOX LABEL DETAILED IN NOTES.			
APA: XHUANG	Drawn: R.BATES	Checked: M.BUTLER	Approved: G.PLIITH Date: 20/05/13



- NOTES:**
1. MATERIAL IS STEEL
  2. FINISH IS PAINTED BLACK
  3. WHEN SUPPLIED AS A SPARE PART GIFTBOX LABEL TO BE LATEST REVISION OF DRAWING: BE-002429-XX-13.

**PROPRIETARY NOTICE**  
 THIS DESIGN AND TECHNICAL INFORMATION APPEARING ON THIS DRAWING IS THE PROPERTY OF BRIGADE ELECTRONICS, AND IS DISCLOSED IN CONFIDENCE. IT IS NOT TO BE COPIED, REPRODUCED, REVEALED TO OR EXPLOITED BY OTHERS, EITHER IN WHOLE OR IN PART WITHOUT THE EXPRESS WRITTEN CONSENT OF BRIGADE ELECTRONICS.

**BRIGADE**  
 www.brigade-electronics.com

Assembly PI Approval XHUANG 29/10/12		Approved by S.MATTHEWS		Checked by DKERRAL		Drawn by M.BUTLER	
Angle of Projection		Units mm	Scale N/A	Released 02/09/09	Assembly Ref 32030034.200		
Third Angle		Status RELEASED		BM - 015			
		Part No 3148A		BE-000895-06-09			